

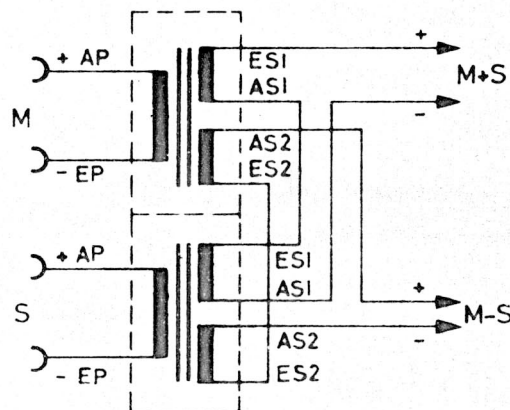


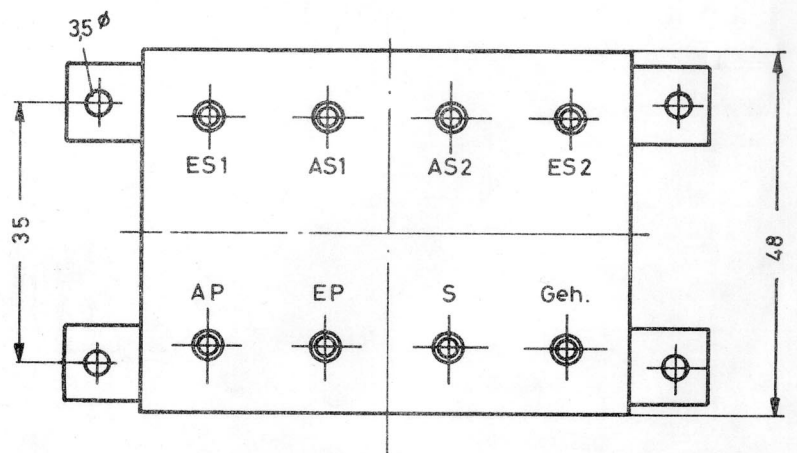
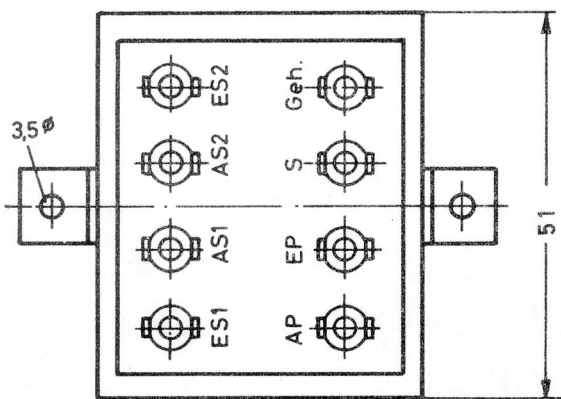
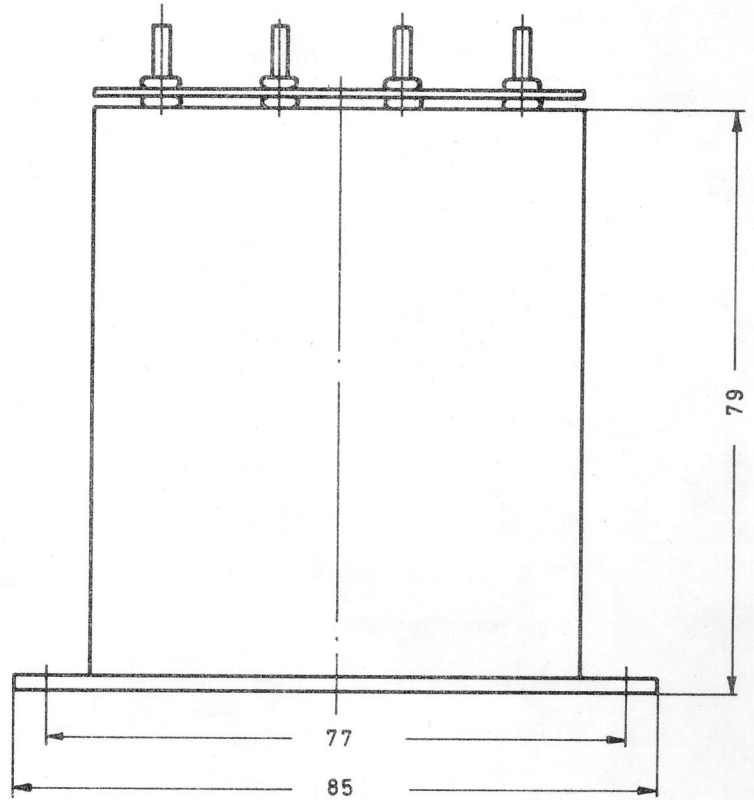
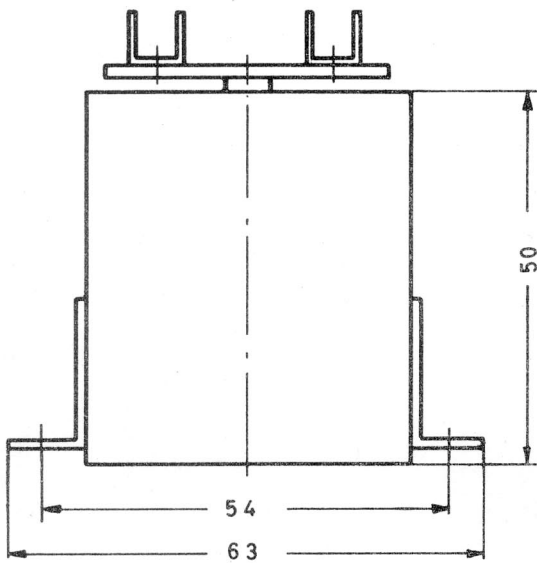
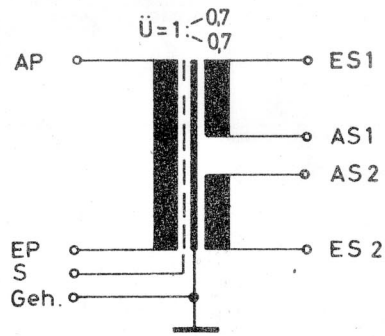
MATRIXING (SUM + DIFFERENCE) TRANSFORMERS

Z-140/Z-240 - 918-02-00

The Model Z-140 and Z-240 Transformers are highest quality differential units which when connected in pairs may be used for the matrixing of stereo signals between left/right and sum/difference. The transformers are built into mu-metal cases and the coil ends are brought out to solder terminals.

	<u>Z-140</u>	<u>Z-240</u>
Turns ratio.....	1 : 2 times 0.7 = 1:1.4 total	
Frequency response for secondary terminated in 1000 Ω.....	30 ... 15,000 Hz ± 0.5 dB	
Max. input level for 1% distortion..	+8 dB (2 V) at 40 Hz	+22 dB (10 V) at 40 Hz
Primary open circuit inductance (50 Hz).....	5 H.	20 H.
Primary open circuit impedance (50 Hz).....	1500 Ω	6000 Ω
Primary DC resistance.....	11 Ω	8 Ω
Secondary DC resistance.....	2 x 7 Ω	2 x 6 Ω
Balance attenuation.....		
at 1000 Hz.....	= 90 dB	= 100 dB
at 15 kHz.....	= 80 dB	= 70 dB





Z140

Z240